

# Load

## APLDC6G4310MxW

### Revision record

Date	Version	Author	Revision description	Comment
2024/11/28	V1.1	Vivian	Created	/

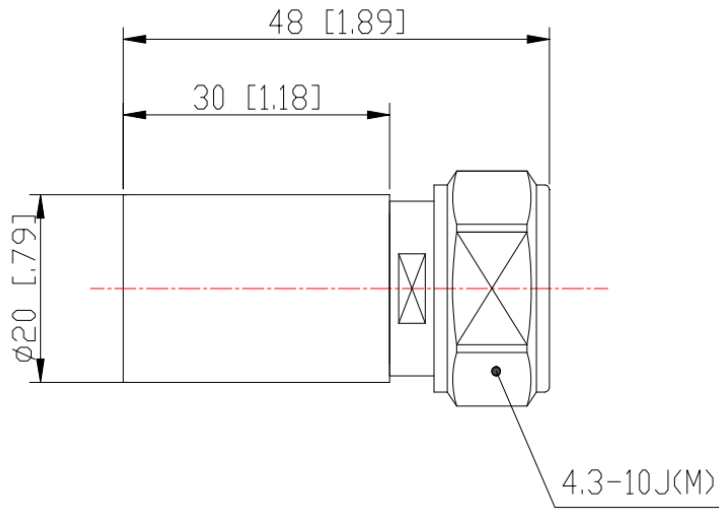
### Electrical specification

Parameter	Specification		
Model number	APLDC6G4310M2W	APLDC6G4310M5W	APLDC6G4310M10W
Average power	≤2W	≤5W	≤10W
Frequency range	DC-6000MHz		
VSWR	≤1.3		
Impedance	50Ω		
Temperature range	-55°C to +125°C		
Relative humidity	0 to 95%		

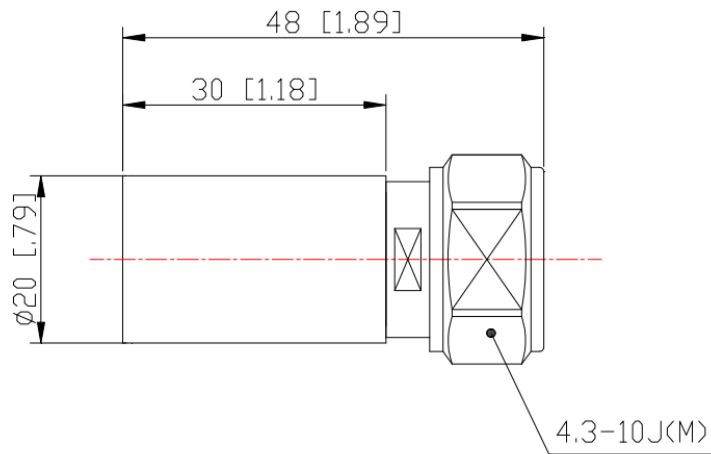
### Mechanical specification

Parameter	Specification		
Dimension	APLDC6G4310M2W	APLDC6G4310M5W	APLDC6G4310M10W
	Φ20mm x 30mm	Φ20mm x 30mm	Φ30×30mm
Connectors	4.3-10 / Male		
Notes	Material shall be RoHS 6/6		

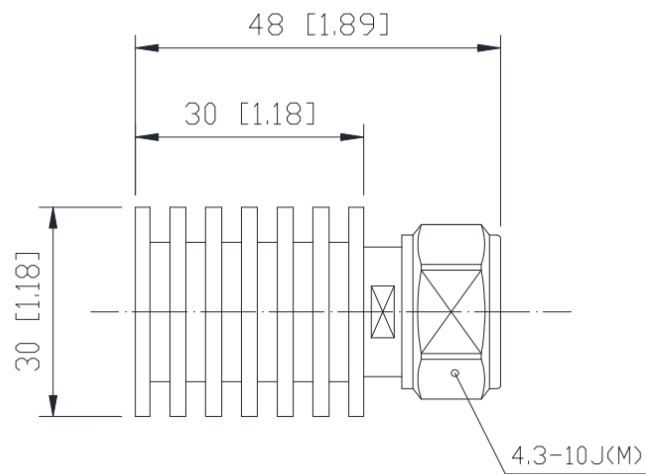
## Outline



APLDC6G4310M2W



APLDC6G4310M5W



APLDC6G4310M10W